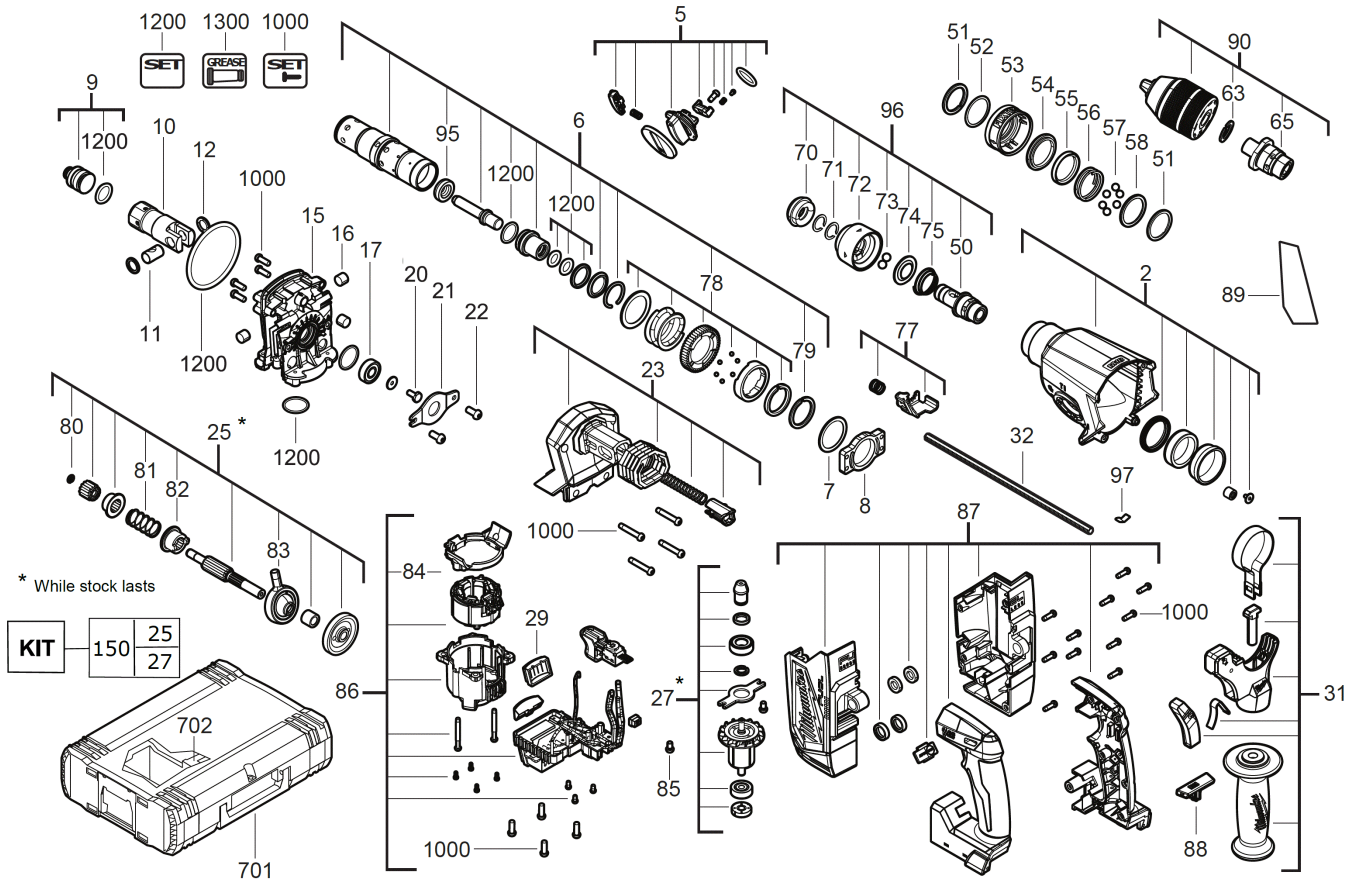


M18FHX-0 FUEL SDS-+ 26MM HAMMER XXX

4933478887 - M18FHX-0 - 4000483172





Position	Quantity	Description	Part number	EAN
0002	1	GEAR HEAD	4931479580	4058546393434
0005	1	TURNING KNOB	4931479581	4058546393441
0006	1	SPINDLE SLEEVE	4931479647	4058546394103
0007	1	WASHER	4931479583	4058546393465
0008	1	BEARING BRACKET	4931479584	4058546393472
0009	1	STRIKER	4931479585	4058546393489
0010	1	PISTON	4931479586	4058546393496
0011	1	CRANK PIN	4931479587	4058546393502
0012	2	WASHER	4931479588	4058546393519
0015	1	GEAR CASE	4931479589	4058546393526
0016	3	FELT	4931436536	4002395251254
0017	1	BALL BEARING	4931479590	4058546393533
0020	1	SCREW	4931479591	4058546393540
0021	1	RETAINER	4931479592	4058546393557
0022	2	SCREW	4931466678	4058546278953
0023	1	COVER	4931479593	4058546393564
0025	1	WOBBLE DRIVE	5131000000	
0027	1	ROTOR	5131000000	
0029	1	COVER	4931479596	4058546393595
0031	1	AUXILIARY HANDLE	4931479597	4058546393601
0032	1	DEPTH GAUGE	4931479598	4058546393618
0050	1	SLEEVE	4931479648	4058546394110
0051	2	RETAINING RING	672634004	4002395854219
0052	1	WASHER	4931479649	4058546394127
0053	1	SLEEVE	4931479650	4058546394134
0054	1	STOP WASHER	4931479651	4058546394141
0055	1	RING	522187001	4002395856879
0056	1	SPRING	692737001	4002395854189
0057	6	BALL	681486001	4002395851928
0058	1	WASHER	632420001	4002395854134
0063	1	SPRING	692738001	4002395854196
0065	1	SLEEVE	4931479652	4058546394158
0070	1	RUBBER CAP	561993001	4002395854936
0071	2	RING	5131000000	
0072	1	SLEEVE	4931479653	4058546394165
0073	2	BALL	4931453606	4002395143832
0074	1	PLATE	4931436765	4002395179824
0075	1	SPRING	4931453607	4002395143849
0077	1	LOCKING PLATE	4931479600	4058546393632
0078	1	DRIVE GEAR	4931479601	4058546393649
0079	1	SNAP RING	4931479602	4058546393656
0080	1	WASHER	633525001	4002395854141
0081	1	SPRING	4931479603	4058546393663
0082	1	SLEEVE	4931479604	4058546393670
0083	1	AXLE WOBBLE	4931479605	4058546393687
0084	1	CLAMPING PIECE	4931479606	4058546393694
0085	2	SCREW	4931479607	4058546393700
0086	1	ELECTRONIC	4931479608	4058546393717
0087	1	HOUSING	4931479609	4058546393724
0088	1	SLIDER	4931479610	4058546393731

Position	Quantité	Désignation	Référence	EAN
0089	1	RATING PLATE	4931479654	4058546394172
0090	1	FIXTEC ADAPTER	4931479655	4058546394189
0095	1	STOP WASHER	4931479613	4058546393762
0096	1	CHUCK	4931479656	4058546394196
0097	1	SPRING PLATE	4931479612	4058546393755
0150	1	SET	4931491953	4058546475086
0701	1	HD Box 3 - 1pc	4932453386	4002395143634
0702	1	INSERT	4931479615	4058546393786
1000	1	SCREW	4931479616	4058546393793
1200	1	O-RING	4931479617	4058546393809
1300	1	GEAR GREASE	4931443288	4002395255627

M18FHX-0 FUEL SDS-+ 26MM HAMMER XXX

4933478887 - M18FHX-0 - 4000491697



Position	Quantity	Description	Part number	EAN
0002	1	GEAR HEAD	4931479580	4058546393434
0005	1	TURNING KNOB	4931479581	4058546393441
0006	1	SPINDLE SLEEVE	4931479647	4058546394103
0007	1	WASHER	4931479583	4058546393465
0008	1	BEARING BRACKET	4931479584	4058546393472
0009	1	STRIKER	4931479585	4058546393489
0010	1	PISTON	4931479586	4058546393496
0011	1	CRANK PIN	4931479587	4058546393502
0012	2	WASHER	4931479588	4058546393519
0015	1	GEAR CASE	4931479589	4058546393526
0016	3	FELT	4931436536	4002395251254
0017	1	BALL BEARING	4931479590	4058546393533
0020	1	SCREW	4931479591	4058546393540
0021	1	RETAINER	4931479592	4058546393557
0022	2	SCREW	4931466678	4058546278953
0023	1	COVER	4931479593	4058546393564
0025	1	WOBBLE DRIVE	4931494322	4058546468941
0027	1	ROTOR	4931494323	4058546468958
0029	1	COVER	4931479596	4058546393595
0031	1	AUXILIARY HANDLE	4931479597	4058546393601
0032	1	DEPTH GAUGE	4931479598	4058546393618
0050	1	SLEEVE	4931479648	4058546394110
0051	2	RETAINING RING	672634004	4002395854219
0052	1	WASHER	4931479649	4058546394127
0053	1	SLEEVE	4931479650	4058546394134
0054	1	STOP WASHER	4931479651	4058546394141
0055	1	RING	522187001	4002395856879
0056	1	SPRING	692737001	4002395854189
0057	6	BALL	681486001	4002395851928
0058	1	WASHER	632420001	4002395854134
0063	1	SPRING	692738001	4002395854196
0065	1	SLEEVE	4931479652	4058546394158
0070	1	RUBBER CAP	561993001	4002395854936
0071	2	RING	513100000	
0072	1	SLEEVE	4931479653	4058546394165
0073	2	BALL	4931453606	4002395143832
0074	1	PLATE	4931436765	4002395179824
0075	1	SPRING	4931453607	4002395143849
0077	1	LOCKING PLATE	4931479600	4058546393632
0078	1	DRIVE GEAR	4931479601	4058546393649
0079	1	SNAP RING	4931479602	4058546393656
0080	1	WASHER	633525001	4002395854141
0081	1	SPRING	4931479603	4058546393663
0082	1	SLEEVE	4931479604	4058546393670
0083	1	AXLE WOBBLE	4931479605	4058546393687
0084	1	CLAMPING PIECE	4931479606	4058546393694
0085	2	SCREW	4931479607	4058546393700
0086	1	ELECTRONIC	4931479608	4058546393717
0087	1	HOUSING	4931479609	4058546393724
0088	1	SLIDER	4931479610	4058546393731

Position	Quantité	Désignation	Référence	EAN
0089	1	RATING PLATE	4931494325	4058546468972
0090	1	FIXTEC ADAPTER	4931479655	4058546394189
0095	1	STOP WASHER	4931479613	4058546393762
0096	1	CHUCK	4931479656	4058546394196
0097	1	SPRING PLATE	4931479612	4058546393755
0701	1	HD Box 3 - 1pc	4932453386	4002395143634
0702	1	INSERT	4931479615	4058546393786
1000	1	SCREW	4931479616	4058546393793
1200	1	O-RING	4931479617	4058546393809
1300	1	GEAR GREASE	4931443288	4002395255627